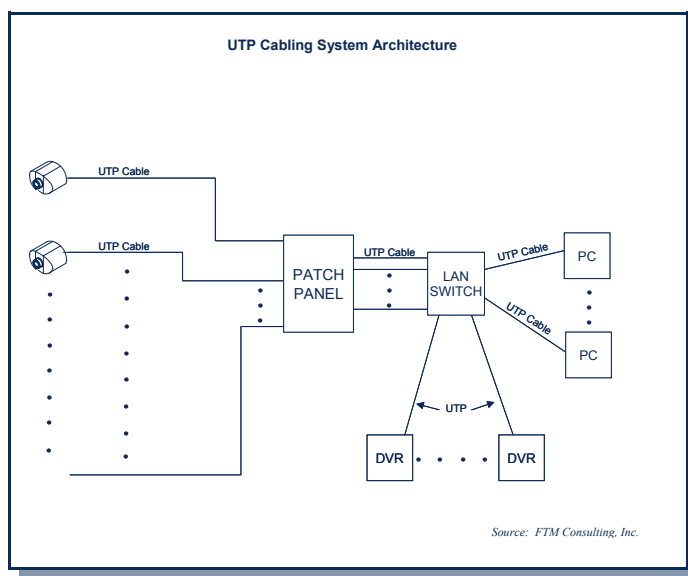


SECURITY VIDEO CAMERA CABLING SYSTEMS

Study reveals a new market growth opportunity

Findings.....

- Security video camera cabling offers double-digit cabling growth opportunity.
- Recent terrorist attacks in London underground system promote expansion of security video camera systems in the U.S.
- Security video camera system cabling is evolving from analog coax cabling to digital UTP structured cabling architecture.



The study details the advantages for this type of architecture.

- New technology developments foster structured cabling systems: networking digital cameras, Web server cameras, power over Ethernet and others are all described and analyzed.
- The study examines 3 major cabling architectures:
 - Coax Cabling
 - UTP Cabling
 - Fiber Cabling
- Learn which of these cabling system is growing
- Learn the market characteristics of each cabling system
- Learn the advantages of each
- Learn the market forecast and growth for each
- “Security Video Camera System Cabling Market” forecasts sales for major cabling products:
 - Cables
 - Connectors
 - UTP Patch panels
 - Fiber media converters
- Product segment forecasts include:
 - 1) UTP by categories
 - 2) Fiber by SM-MM

More.....

Table of Contents

Chapter 1

Introduction

Study Objectives
Security Video Camera Systems Evolution
Methodology/Sources
General Notes

Chapter 2

Executive Summary

Cabling Systems for Security Video Camera Systems Development
Total Cabling System Forecast
Cabling Forecasts by Type of Cabling
Cabling Forecasts by Product Types

Chapter 3

Video Camera Industry Characteristics

Industry Participants
Camera Suppliers
Industry Service Providers
Industry Associations

Chapter 4

Market Characteristics

Market Development
Market Trends
Current Market Opportunities
Future Market Opportunity

Chapter 5

Cabling Products

Coax Cabling Products
 Coax Cable
 Coax Connectors
UTP Cabling Systems
 UTP Cables
 UTP Connectors
 UTP Patch Panels
Fiber Cabling Products
 Fiber Optic Cable
 Fiber Optical Connectors
 Fiber Media Converters

Chapter 6

Product/Technology Trends

Digital Networking Technology
Anixter CCTP Cabling System
Z Band RF Distribution System
Power Over Ethernet (POE)

Chapter 7

Cabling System Architecture

Overview
Coax Cabling Architecture
UTP Cabling Architecture
Fiber Cabling Architecture

Chapter 8

Total Cabling Systems Forecasts

Total Cabling Market Forecasts
Camera Forecasts by Cabling Media
Cabling System Forecasts By Cabling Media
Cabling System Forecasts by Product

Chapter 9

Coax Cabling System Forecasts

Total Coax Cabling Forecast
Coax Cabling Product Segment Forecasts
Coax Cable Forecasts
Coax Connector Forecasts

Chapter 10

UTP Cabling Forecasts

Total UTP Cabling Forecast
UTP Cabling by Product Segment Forecast
UTP Cable Forecasts
UTP Connector Forecasts
UTP Patch Panel Forecasts

Chapter 11

Fiber Cabling Forecasts

Total Fiber Cabling Forecasts
Fiber Cable Forecasts
Fiber Cable SM-MM Segment Forecasts
Fiber Connector Forecasts
Fiber Media Converter Forecasts

List of Figures

Chapter 2

Figure 2.1 Total Cabling System Forecast
Figure 2.2 Cabling Forecast by Cabling Type
Figure 2.3 Market Forecast by Product Types

Chapter 7

Figure 7.1 Coax Cabling System Architecture
Figure 7.2 UTP Cabling System Architecture
Figure 7.3 Fiber Cabling System Architecture

Chapter 8

Figure 8.1 Total Cabling Market Forecast
Figure 8.2 Cameras by Cabling Media Trends
Figure 8.3 Total Cabling Systems by Media Type Forecasts
Figure 8.4 Total Cabling by Product Type Forecasts

Chapter 9

Figure 9.1 Coax Cabling Forecast
Figure 9.2 Coax Cabling Product Segment Forecasts
Figure 9.3 Coax Cable Forecasts
Figure 9.4 Coax Connector Forecasts

Chapter 10

Figure 10.1 UTP Cabling Forecast
Figure 10.2 UTP Cabling by Product Segment Forecast
Figure 10.3 UTP Cabling by Category Forecast
Figure 10.4 UTP Cable Forecast
Figure 10.5 UTP Connector Forecast
Figure 10.6 UTP Patch Panel Forecast

Chapter 11

Figure 11.1 Fiber Cabling Forecast
Figure 11.2 Fiber Cable Forecast
Figure 11.3 Fiber Cable by SM-MM Forecast
Figure 11.4 Fiber Connector Forecast
Figure 11.5 Fiber Media Converter Forecast